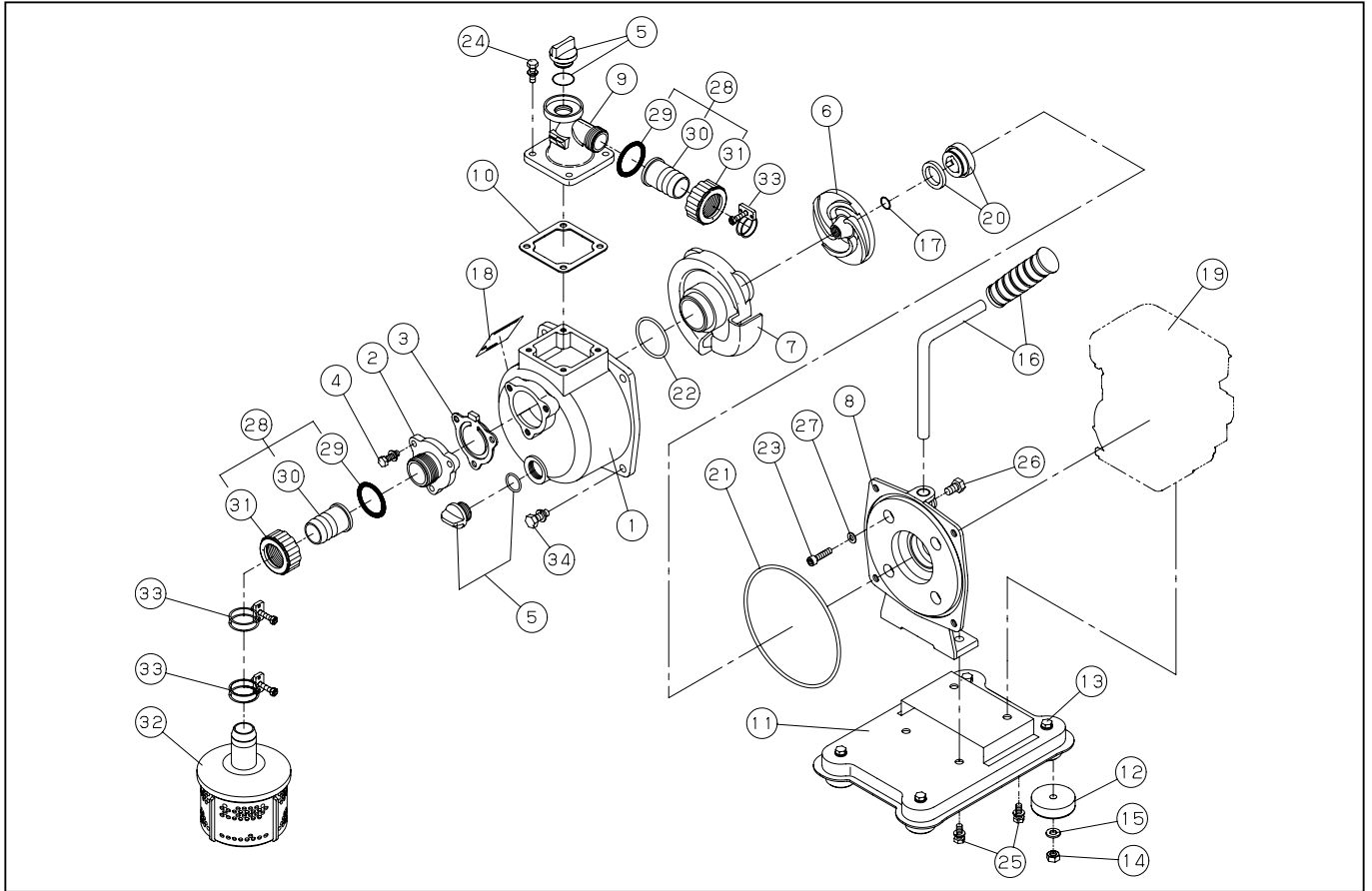


SEH-25H

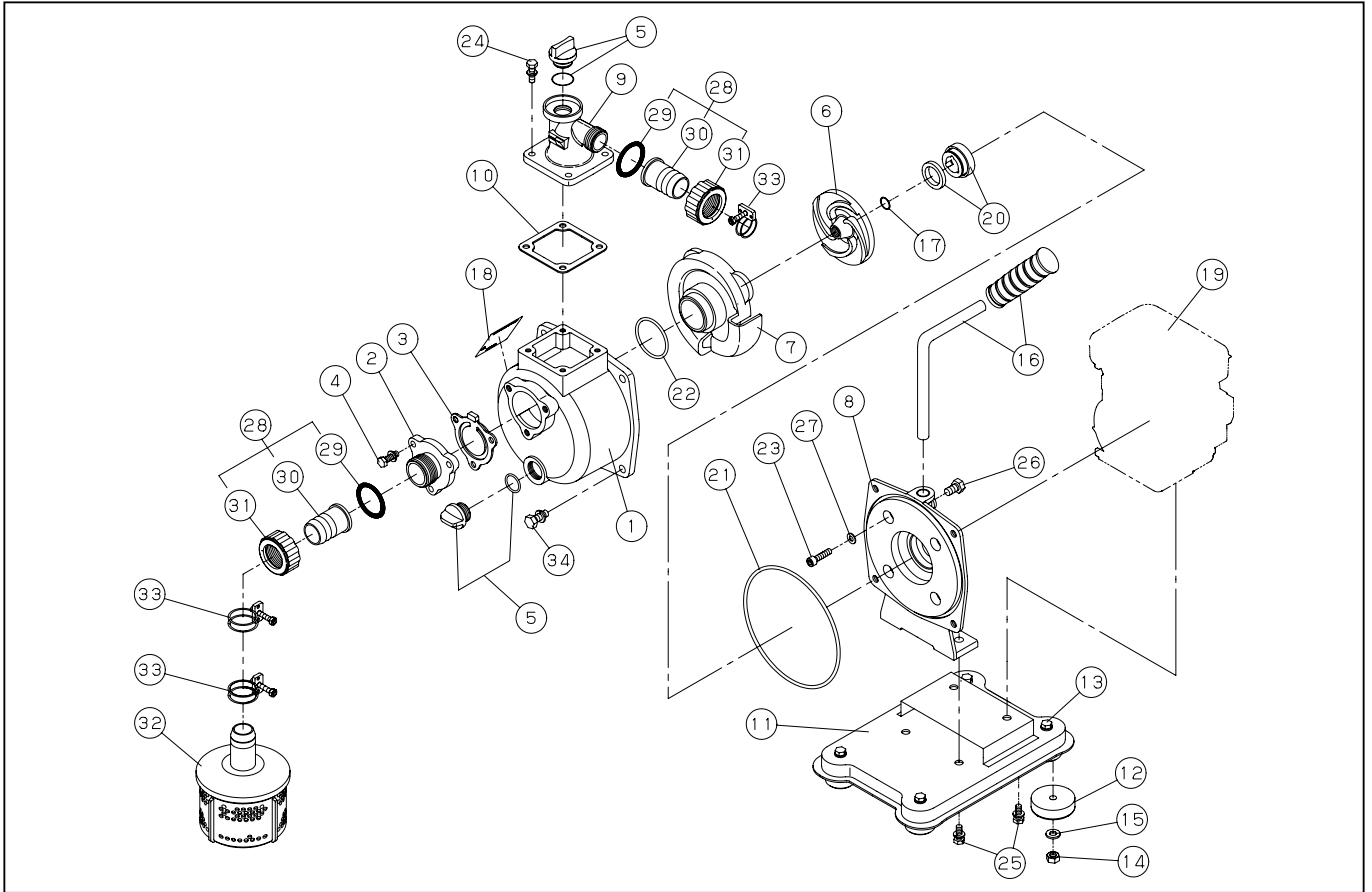


DWG No.012885 103 MODEL:SEH-25H (GXH50) FORM:SEH-25H-BAD-1

| No. | PARTS CODE | PARTS NAME | QTY | MATERIAL | SIZE | REMARKS |
|-----|------------|---------------------------|-----|-------------|-----------|---------|
| 1 | 011333001 | PUMP CASING | 1 | ADC | | |
| 2 | 011400201 | SUCTION FLANGE | 1 | ADC | | |
| 3 | 011332801 | CHECK VALVE | 1 | NBR | | |
| 4 | 743119045 | HEXAGON BOLT | 3 | SWRM | M8X20 | |
| 5 | 011807802 | 20A PLUG SET | 2 | | | |
| 6 | 011693701 | IMPELLER | 1 | FC | | |
| 7 | 011699402 | VOLUTE CASING | 1 | FC | | |
| 8 | 011692602 | FLANGE BRACKET | 1 | ADC | | |
| 9 | 011144903 | DELIVERY FLANGE | 1 | ADC | | |
| 10 | 011059301 | FLANGE PACKING | 1 | CR | | |
| 11 | 011787301 | BASE SET | 1 | SPC | | |
| 12 | 011041702 | 25 CUSHION RUBBER | 4 | F-23 | | |
| 13 | 743119030 | HEXAGON BOLT | 4 | SWRM | M6X16 | |
| 14 | 827419006 | HEXAGON NUT | 4 | SWRM | M6 | |
| 15 | 846207106 | WASHER | 4 | 19T.1.2 | 1/4 φ | |
| 16 | 011787402 | HANDLE ASSY | 1 | | | |
| 17 | 012008001 | IMPELLER ADJUSTING WASHER | 1 | BSP | | |
| 18 | 012006402 | NAME PLATE | 1 | | | |
| 19 | 012006501 | ENGINE | 1 | HONDA GXH50 | | |
| 20 | 011068503 | MECHANICAL SEAL | 1 | BEH 790 | φ 16 | |
| 21 | 011501401 | O-RING | 1 | NBR | 1517-42.5 | |
| 22 | 889855048 | O-RING | 1 | NBR | P48 | |
| 23 | 734532055 | HEXAGON SOCKET BOLT | 4 | SCM | M6X35 | |
| 24 | 743119047 | HEXAGON BOLT | 4 | SWRM | M8X25 | |
| 25 | 743119030 | HEXAGON BOLT | 4 | SWRM | M6X16 | |
| 26 | 735719145 | HEXAGON BOLT | 1 | | M8X14 | |
| 27 | 854255006 | SEAL WASHER | 4 | | φ 6 | |
| 28 | 034812401 | COUPLING SET | 2 | | 25mm | |
| 29 | 034006501 | COUPLING PACKING | 2 | CR | | |
| 30 | 034078201 | HOSE NIPPLE | 2 | ABS | | |

◆ Bare engine can not be supplied

SEH-25H



DWG No.012885103 MODEL:SEH-25H (GXH50) FORM:SEH-25H-BAD-1

| No. | PARTS CODE | PARTS NAME | QTY | MATERIAL | SIZE | REMARKS |
|-----|------------|------------------------|-----|----------|-------|---------|
| 31 | 034078101 | COUPLING | 2 | ABS | | |
| 32 | 011819301 | STRAINER SET | 1 | | | |
| 33 | 940019032 | HOSE BAND | 3 | | φ 32 | |
| 34 | 743119046 | HEXAGON BOLT | 4 | SWRM | M8X22 | |
| | 012006601 | PACKING CASE | 1 | | | |
| | 011471806 | CE MARK LABEL | 1 | | | |
| | 011474102 | CAUTION LABEL | 1 | | | |
| | 011482009 | DECLARATION | 1 | | | |
| | 011476909 | OPERATION MANUAL | 1 | | | |
| | 011641201 | EU NOISE LABEL | 1 | | | |
| | 011476001 | ENGINE CAUTION LABEL C | 1 | | | |
| | 011476201 | ENGINE CAUTION LABEL E | 1 | | | |
| | 011476301 | ENGINE CAUTION LABEL F | 1 | | | |

◆ Bare engine can not be supplied